



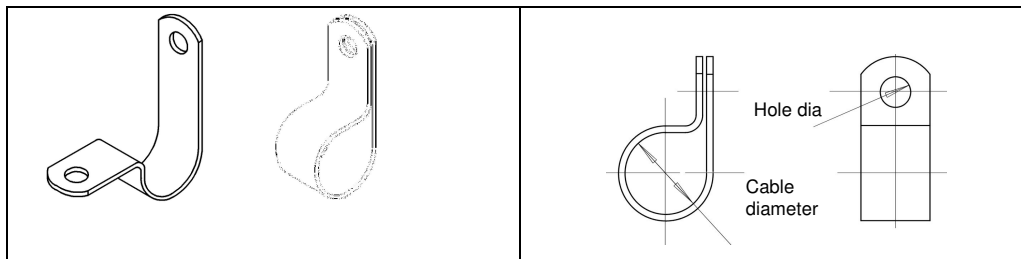
Technical Data Sheet

March 2009

TD B102– MI cable clips and saddles

One hole clips

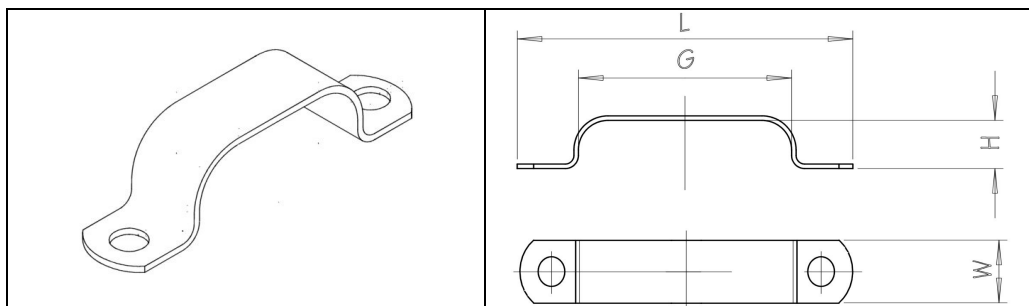
Made from half-hard copper strip.
Available plain or powder coated with an LSZH covering
Supplied open ready for fitting onto cable
Coating thickness is 6 micron nominal



Clip Ref	Cable Dia	Hole Dia	Clip Ref	Cable Dia	Hole Dia	Clip Ref	Cable Dia	Hole Dia
20	5.0/5.4	4.0	37	9.3/9.7	5.2	67	16.9/17.8	7.2
22	5.5/5.9	4.0	40	10.1/10.7	5.2	71	17.9/18.9	7.2
24	6.0/6.4	4.0	43	10.8/11.7	5.2	75	19.0/19.9	7.2
26	6.5/6.9	4.0	47	11.8/12.7	5.2	79	20.0/21.1	7.2
28	7.0/7.4	4.0	51	12.8/13.5	5.2	88	22.2/23.4	7.2
30	7.5/8.2	5.2	54	13.6/14.8	5.2	101	25.6/26.5	7.2
32	8.0/8.4	5.2	59	14.9/15.8	5.6	Note: – The clip ref. is the nominal cable dia in 100 th of an inch. For example, Ref 54 is 0.54 x 25.4 = 13.7 mm		
34	8.5/9.2	5.2	63	15.9/16.8	5.6			

Two-way saddles

Made from half-hard copper strip
Available plain or powder coated with an LSF covering.
Coating thickness is 6 micron nominal.



Saddle ref	H	G	L	W	Hole dia	Saddle ref	H	G	L	W	Hole dia
202	4.6	10.75	29.5	8.0	4.0	462	10.6	24.5	61.7	12.5	5.6
222	5.0	12.0	30.75	8.0	4.0	502	11.6	26.7	61.7	12.5	5.6
242	5.5	13.0	31.75	8.0	4.0	542	12.5	28.75	61.7	12.5	5.6
272	6.0	14.5	33.25	8.0	4.0	592	13.5	31.0	61.7	12.5	5.6
302	6.75	16.1	35.0	8.0	4.2	632	14.0	34.5	63.7	12.5	5.6
342	7.5	18.1	45.0	9.5	5.2	702	15.7	36.5	78.0	15.9	7.2
382	8.5	20.2	45.0	9.5	5.2	752	16.4	40.6	78.0	15.9	7.2
422	9.75	22.2	45.0	9.5	5.2	812	19.3	42.0	78.0	15.9	7.2

